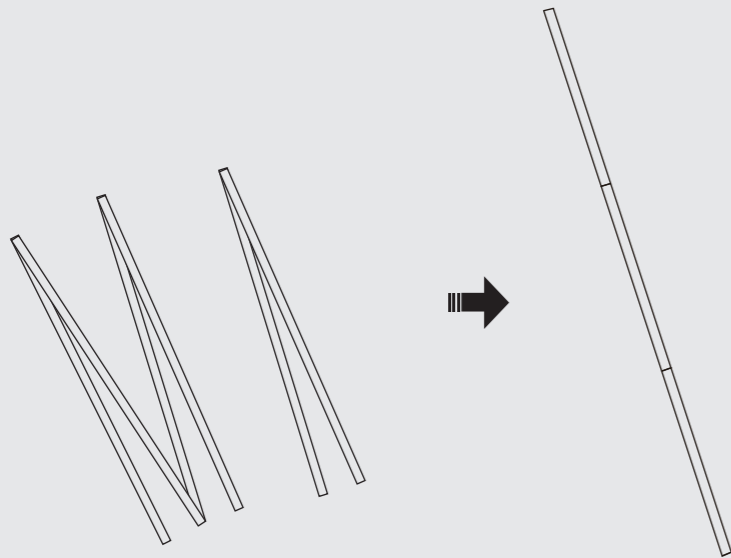
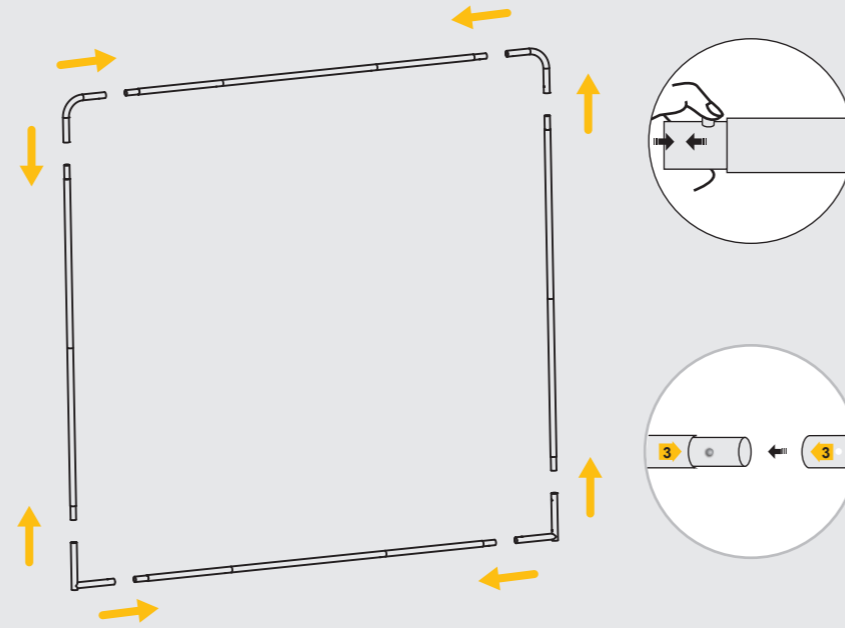


TEXstyle Straight Tension Fabric Display

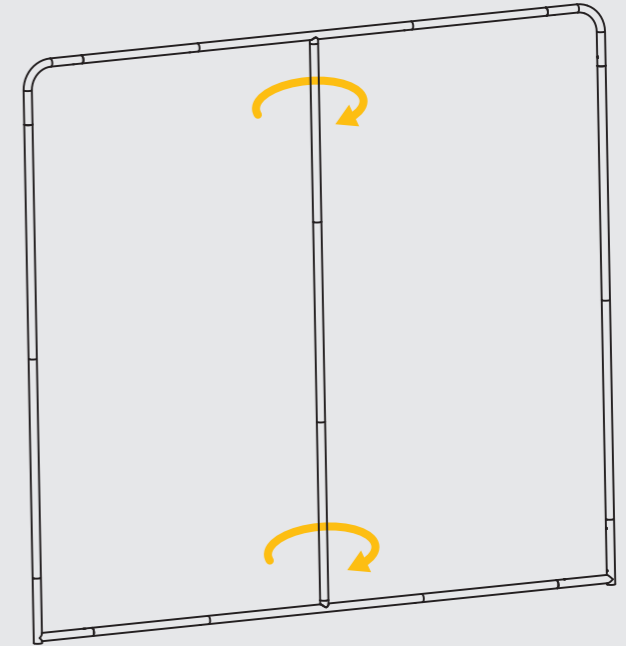
1 Straighten and assemble all the bungeed poles.



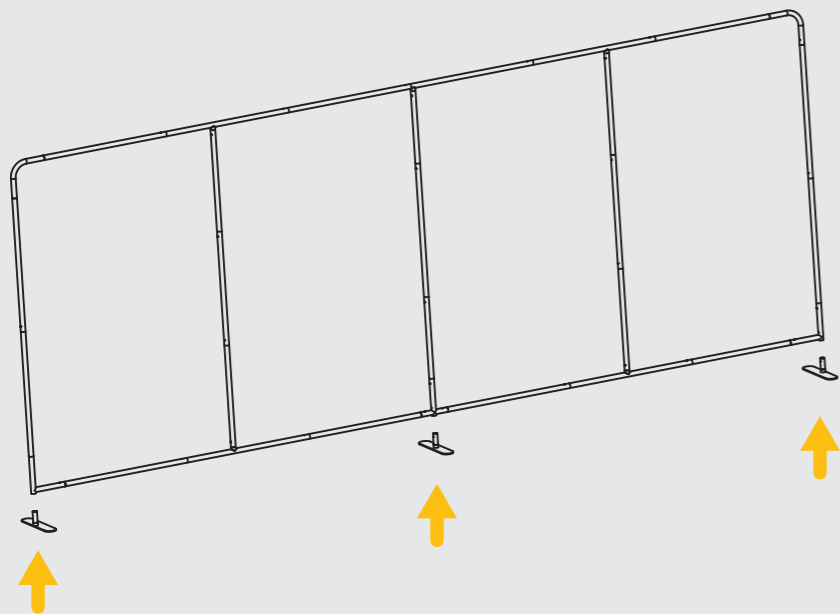
2 Match numbers together to correctly connect the bungeed poles with corners.



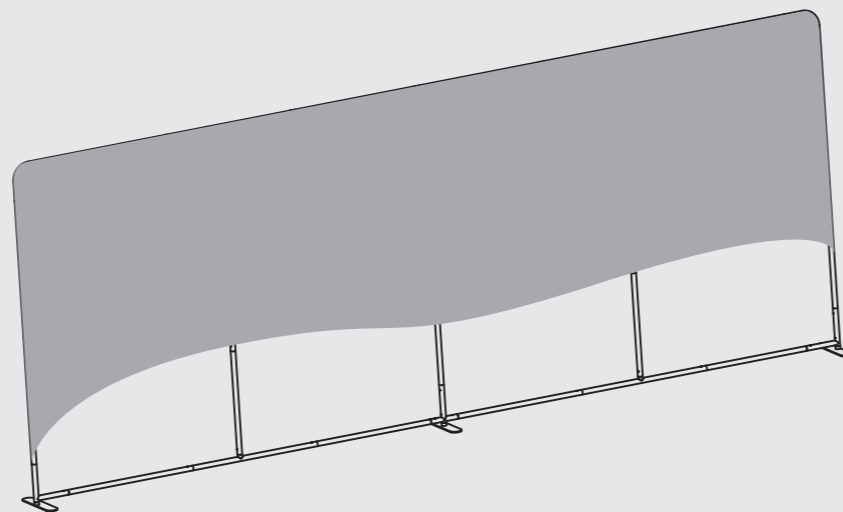
3 Connect the support bars (if necessary).



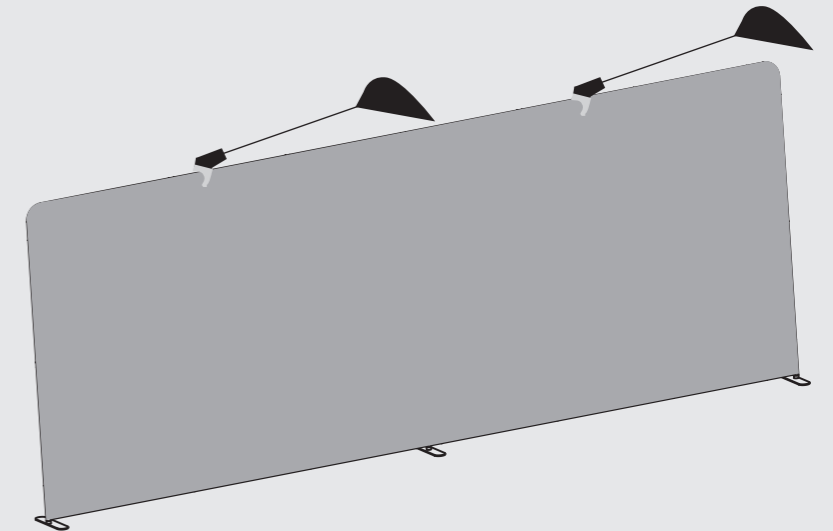
4 Connect the feet.



5 Simply pull the pillowcase-like graphic over the frame.



6 Zip up the graphic. Additional LED lights can be added to make your graphic pop.



! Disassemble in the reverse order.
Caution: To avoid the graphic from wrinkling, ensure it is folded neatly and carefully stowed in the bag.