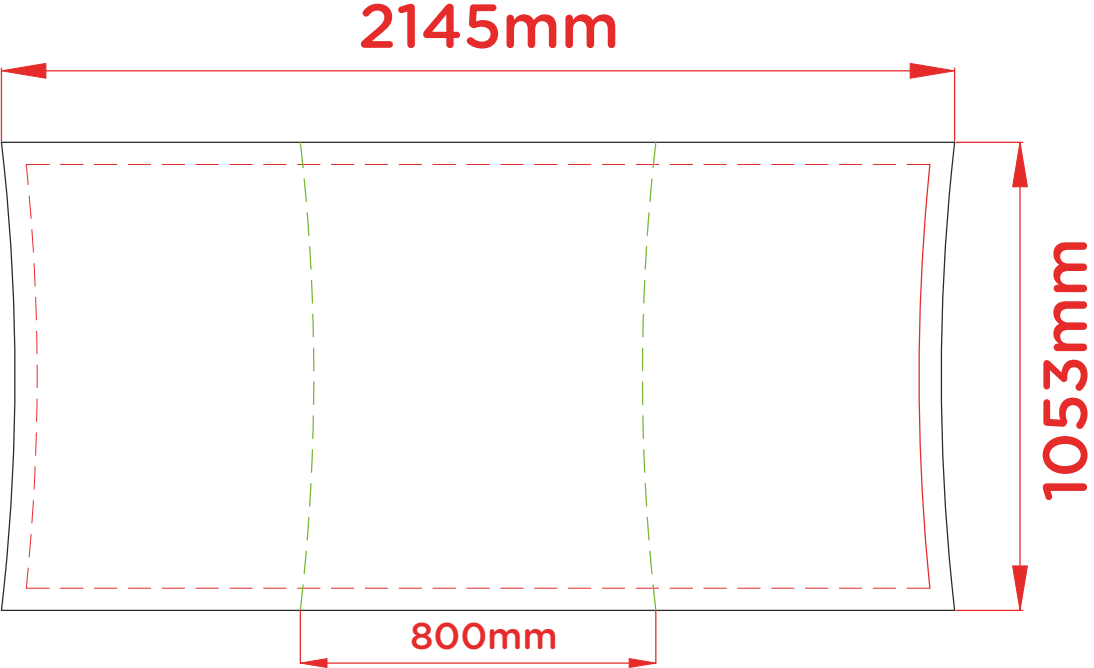


INE185628 - TEXstyle Rectangle Fabric Counter



- Layout area
- - - Safe viewable
- - - area Front

Recommended silicone
keder size: 6mm x 3.5mm