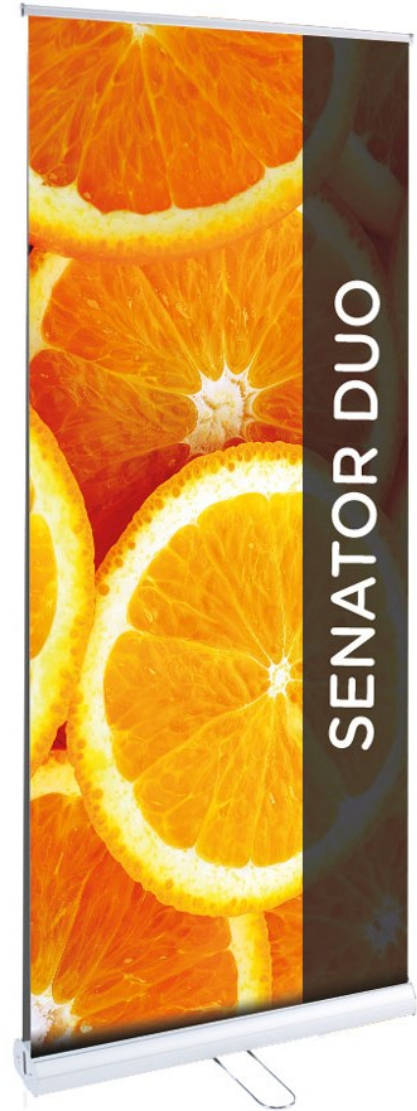


SENATOR DUO ROLLER BANNER

The Senator Duo carries a distinct air of authority while having the ability to provide exceptional value for money. It's twin cassette system has the potential to provide huge, affordable presentation power.

FEATURES AND BENEFITS

- Available in 2 widths
- Robust, compact, ergonomic design
- Twist out foot for greater stability
- Snap clip top rail
- Heavy duty bungee pole and socket base
- Large internal graphic housing
- Premium carry bag



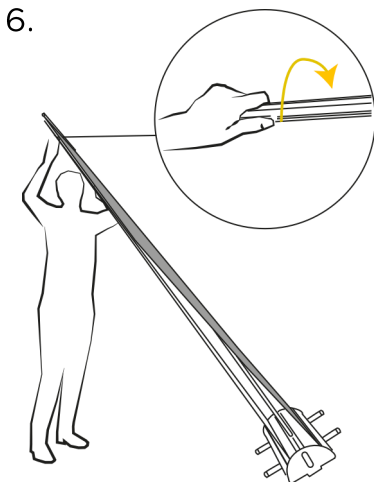
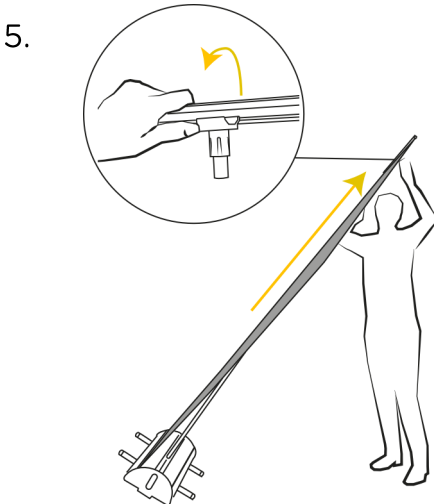
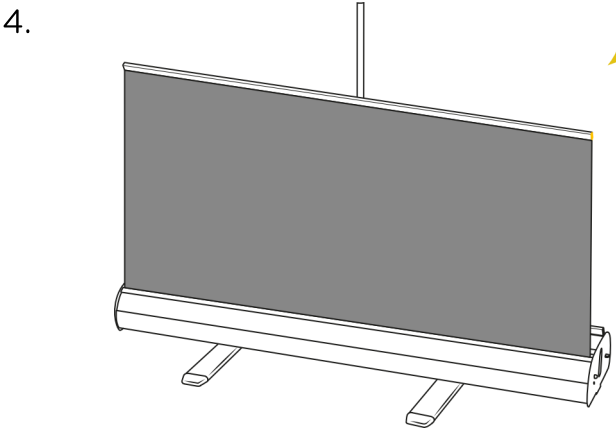
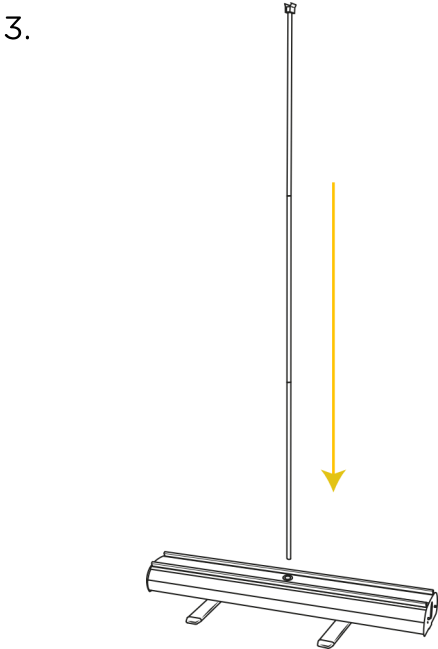
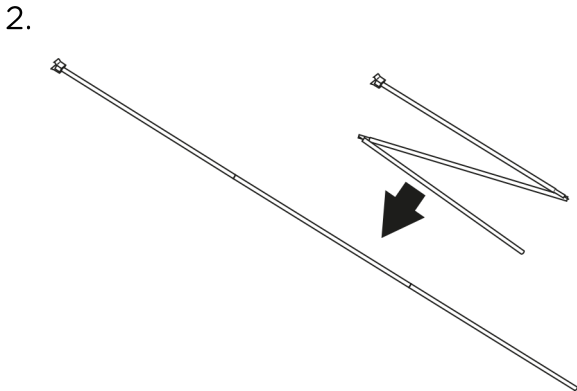
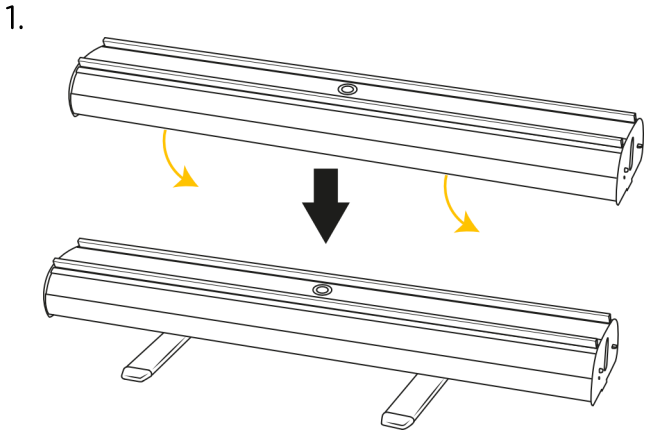
PRODUCT DETAILS		HARDWARE SPECIFICATIONS		GRAPHIC SPECIFICATIONS
Description	Order Code	Dimensions (mm)	Weight (kg)	Dimensions (mm) - + 200mm to allow for roller
Senator Duo - 850	INE183325	(Carton dims 905mm x 210mm x 125mm)	5.0	2000 (+200) x 850
Senator Duo - 1000	INE183328		6.0	2000 (+200) x 1000

NOTE: We recommend that no text is printed within 50mm of the top and bottom of the graphic. Please add 200mm to the graphic length to allow for the roller.

We operate a policy of continuous improvement and we reserve the right to alter products and specifications to reflect this without prior notice. Any information given either verbally or in writing is approximate only and given in good faith and does not constitute terms or part of any contract. We do not accept liability for variance including direct, indirect or consequential loss. The customer is deemed to have determined the suitability of the product for the use intended and assumes all associated risks and liabilities in connection with specifying, using or being unable to use any of the products.

SENATOR DUO ROLLER BANNER

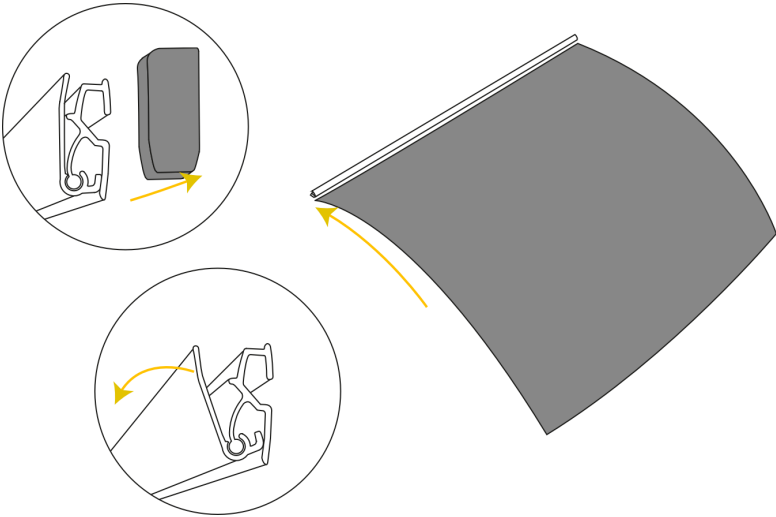
ASSEMBLY INSTRUCTIONS



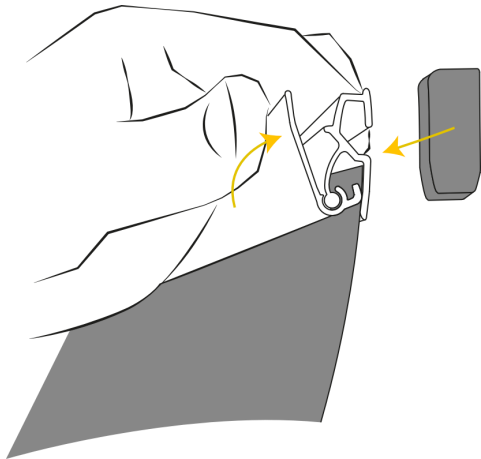
SENATOR DUO ROLLER BANNER

SETUP INSTRUCTIONS

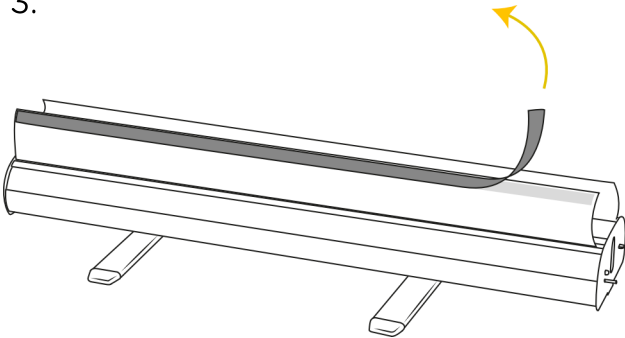
1.



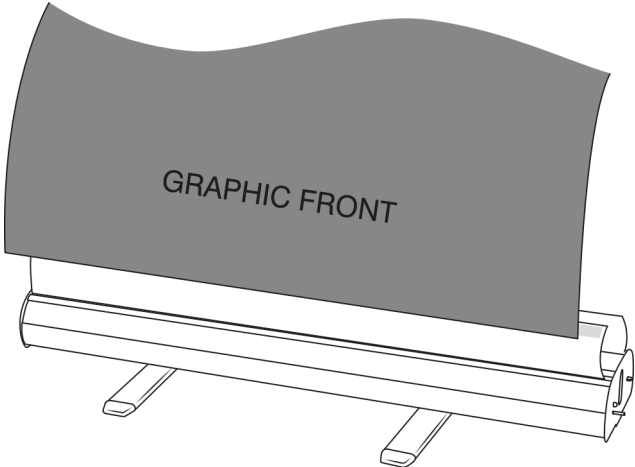
2.



3.



4.



5.

