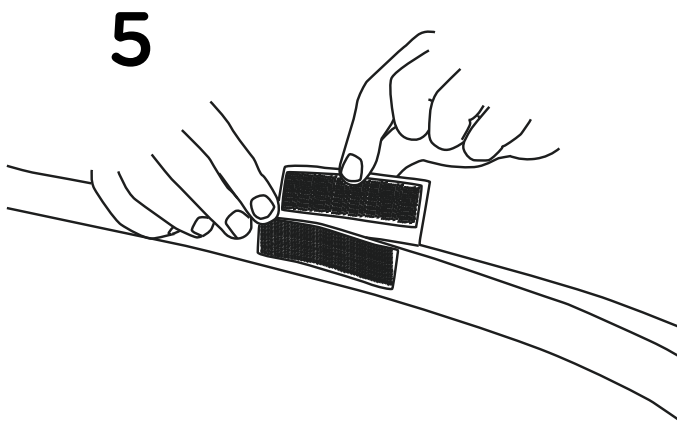
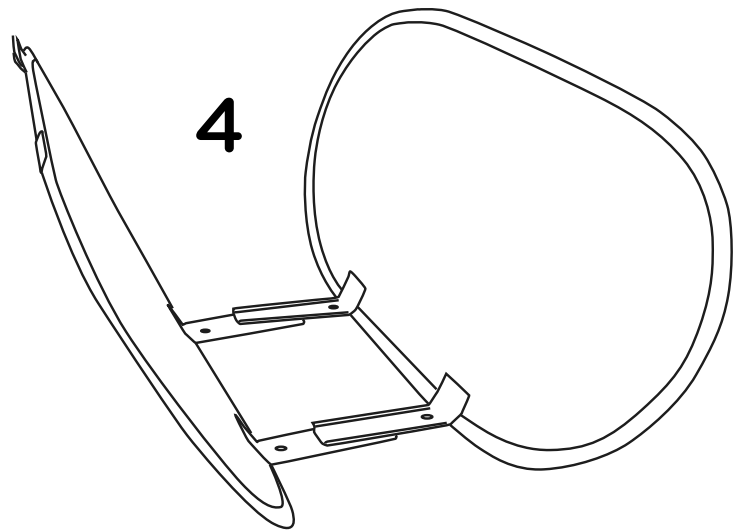
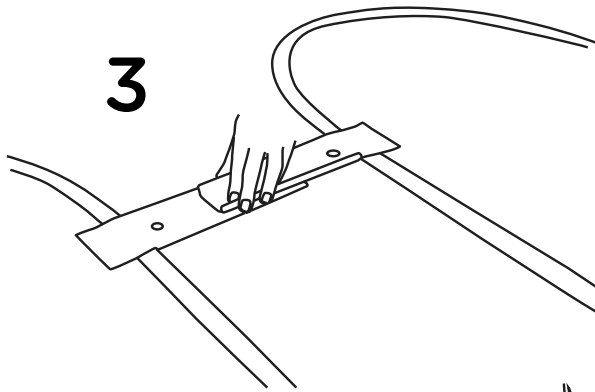
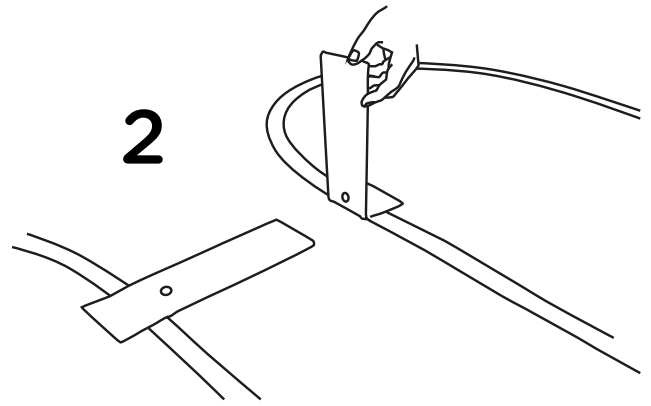
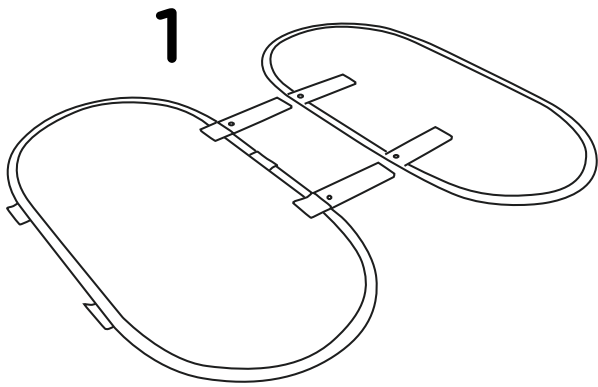


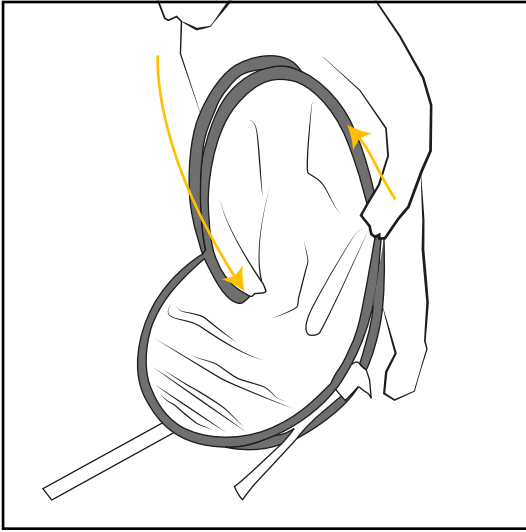
# REBOUND POP OUT BANNER

## Assembly Instructions

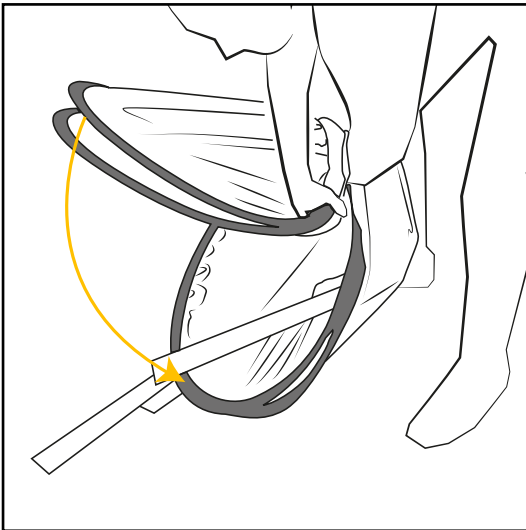


# REBOUND POP OUT BANNER

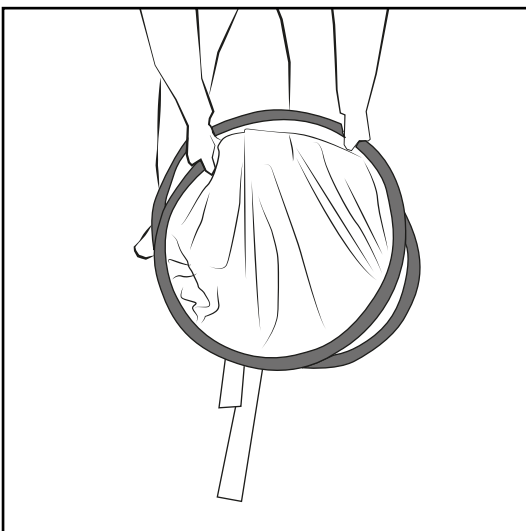
## Disassembly Instructions



1. Hold the banner vertically and push the centre of the left edge across to the right edge.



2. While holding the left edge in place, push the top edge downwards so that it meets up with the bottom edge.



3. Hold the now circular shaped frame in place and put it in the carry bag, before taking your hand off the frame.