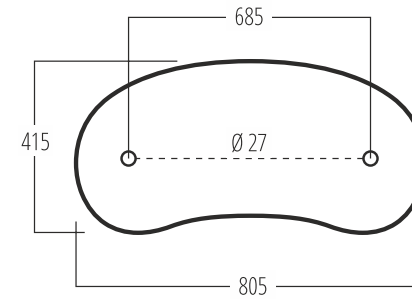


Weights in Kg

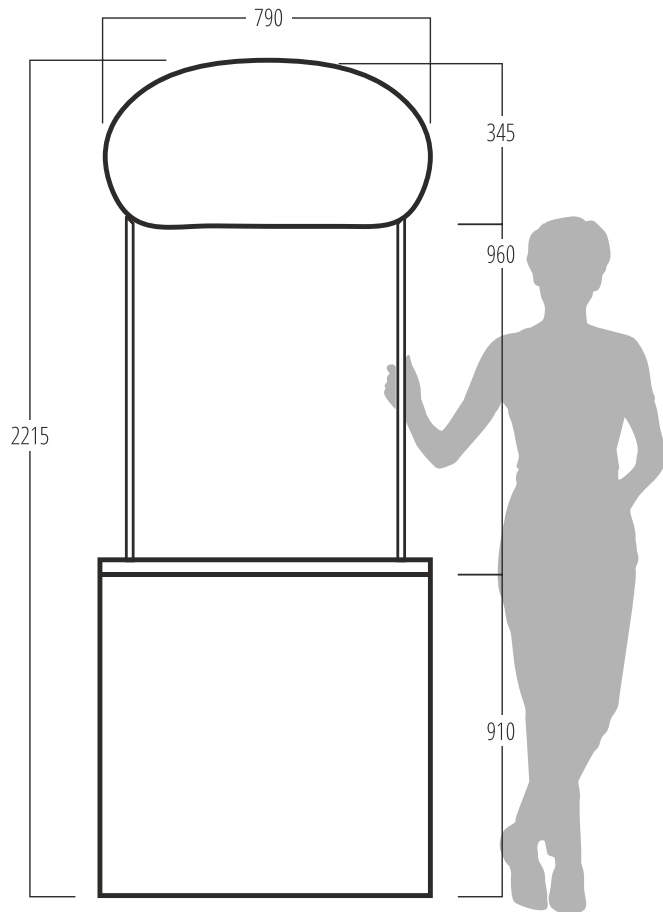
Outer Flat Top	1.15
Inner Top	0.90
Shelf	1.10
Bottom	0.90
Body Panel	2.42
Bag	1.10
Graphic Tube and Bag	0.68
Pole Set (four pieces) T	1.16
Header	0.51

Packaging in Kg

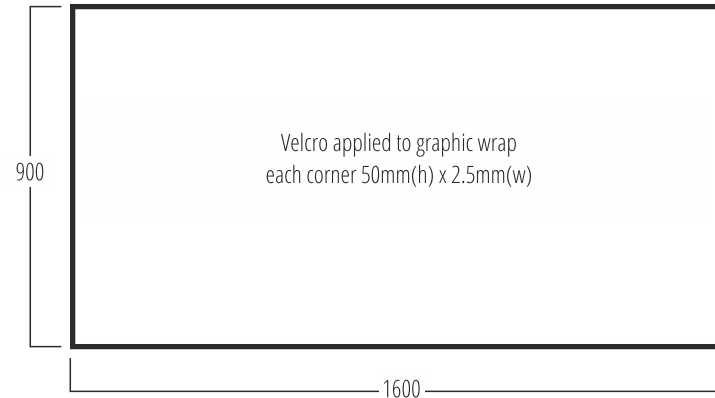
Individual reusable carton	1.30
External size: 1090(w) x 590(d) x 130mm(h)	



Top

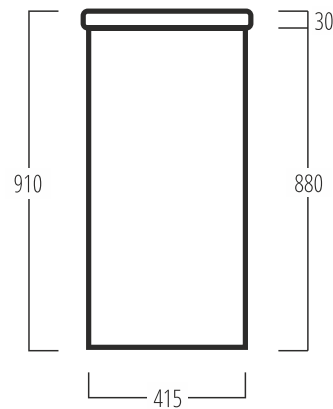


Unit and Header

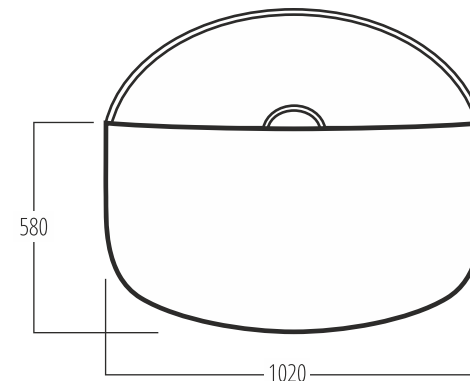


Graphic Wrap

Allow 15mm for top to cover graphic



Side



Carry Bag

