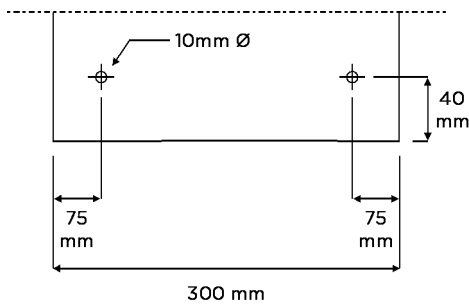
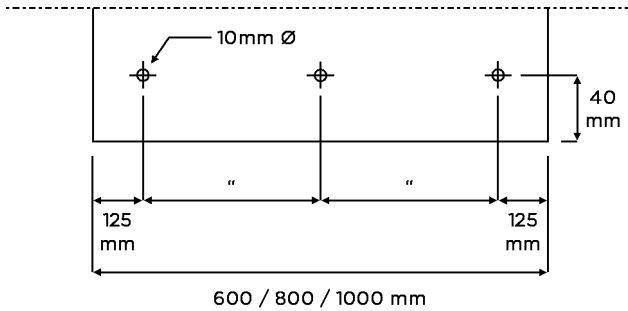


CLASP RIGID POSTER BASE

FEATURES AND BENEFITS

- Quick and easy steel base to hold rigid materials
- Holds a wide variety of rigid substrates up to 20mm thick
- Simply screw the 2 parts together for rapid assembly without tools
- Silver finish



PRODUCT DETAILS	HARDWARE SPECIFICATIONS	
Order Code	Dimensions (mm) W x H x D	Weight (kg)
INE183895	300 x 100 x 340 (+ material depth)	2.54
INE183898	600 x 100 x 340 (+ material depth)	4.90
INE183901	800 x 100 x 340 (+ material depth)	6.45
INE183904	1000 x 100 x 340 (+ material depth)	8.10

NOTE: Material used must be self-supporting. Recommended height 1500mm depending on material used and application.

We operate a policy of continuous improvement and we reserve the right to alter products and specifications to reflect this without prior notice. Any information given either verbally or in writing is approximate only and given in good faith and does not constitute terms or part of any contract. We do not accept liability for variance including direct, indirect or consequential loss. The customer is deemed to have determined the suitability of the product for the use intended and assumes