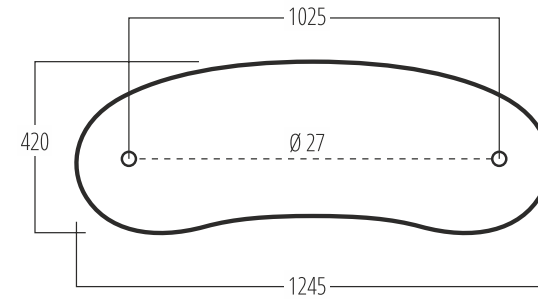


Weights in Kg

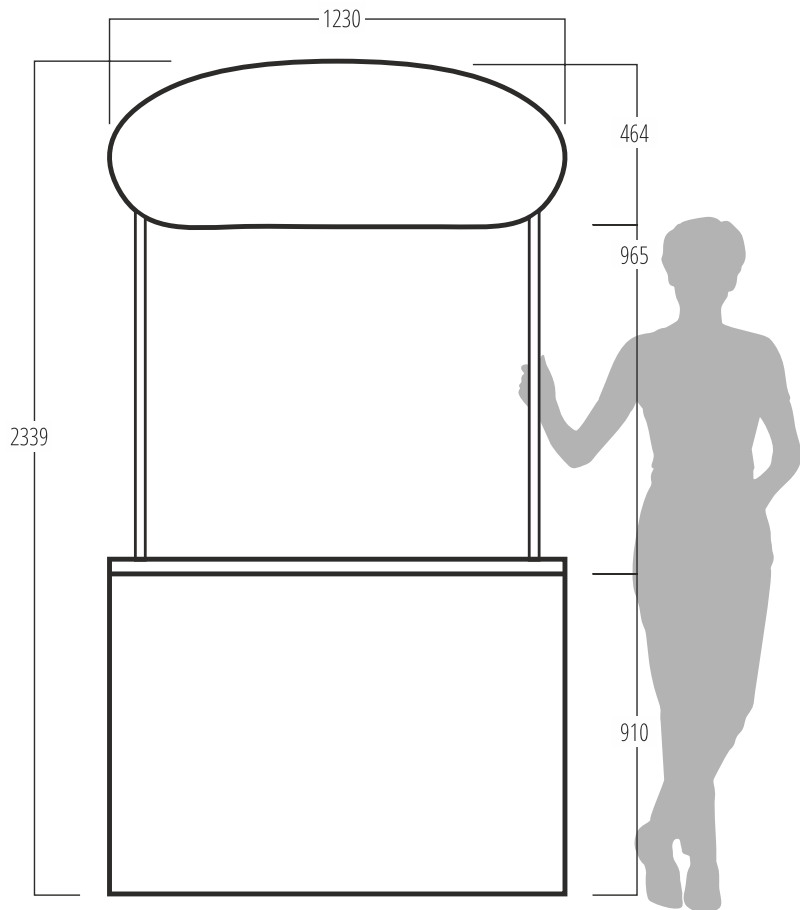
Outer Flat Top .....	2.90
Inner Top .....	1.40
Shelf.....	1.66
Bottom .....	1.40
Body Panel .....	3.60
Bag.....	1.33
Graphic Tube.....	0.68
Pole Set (four pieces) S .....	1.16
Header .....	0.80

Packaging in Kg

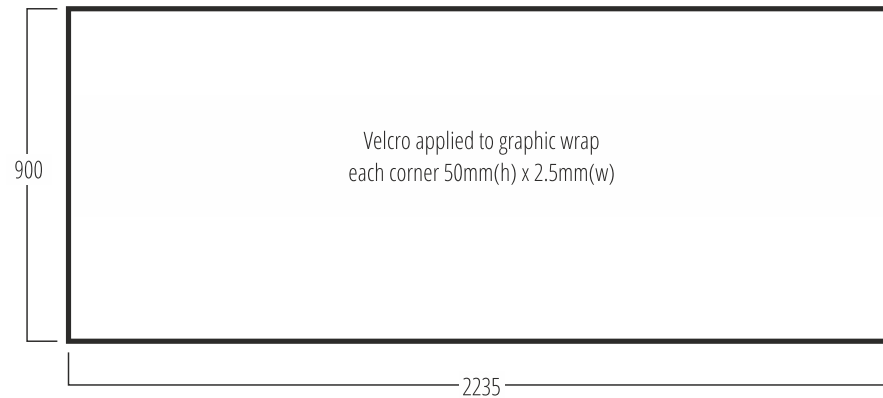
Individual reusable carton .....	1.45
External size: 1265(w) x 630(d) x 130mm(h)	



Top

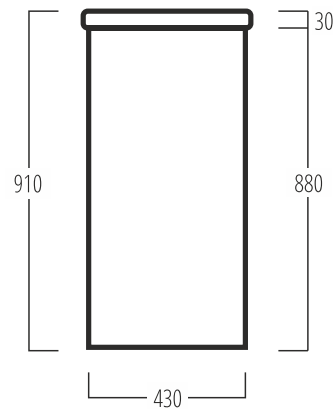


Unit and Header

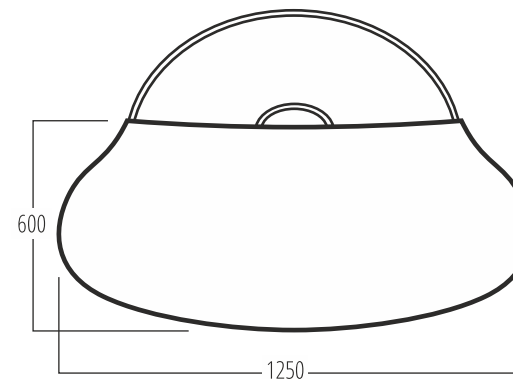


Graphic Wrap

Allow 15mm for top to cover graphic



Side



Carry Bag

