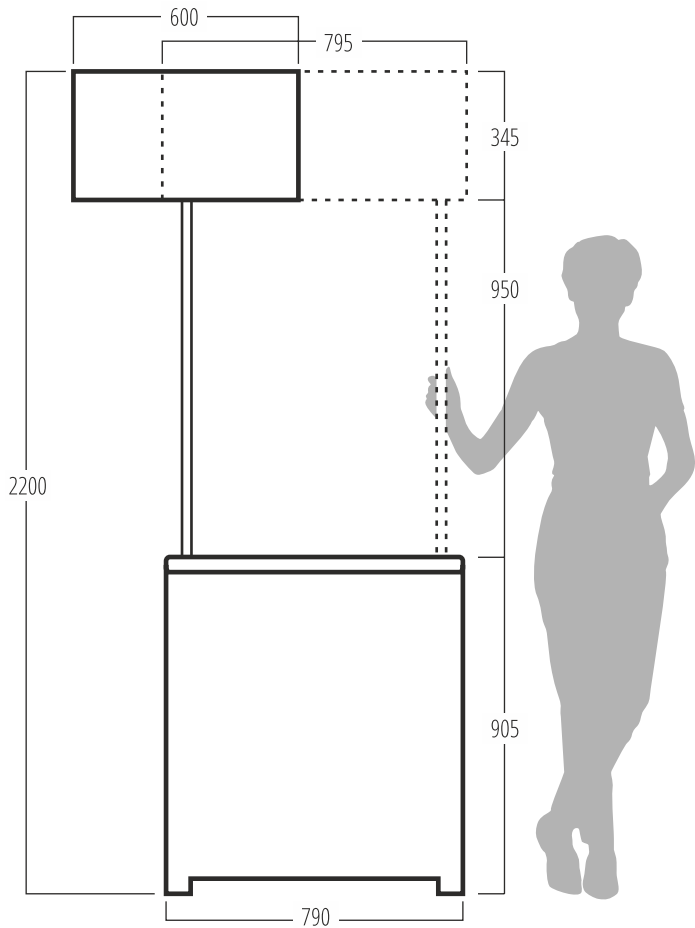
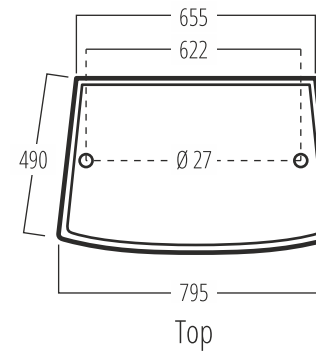


Weights in Kg

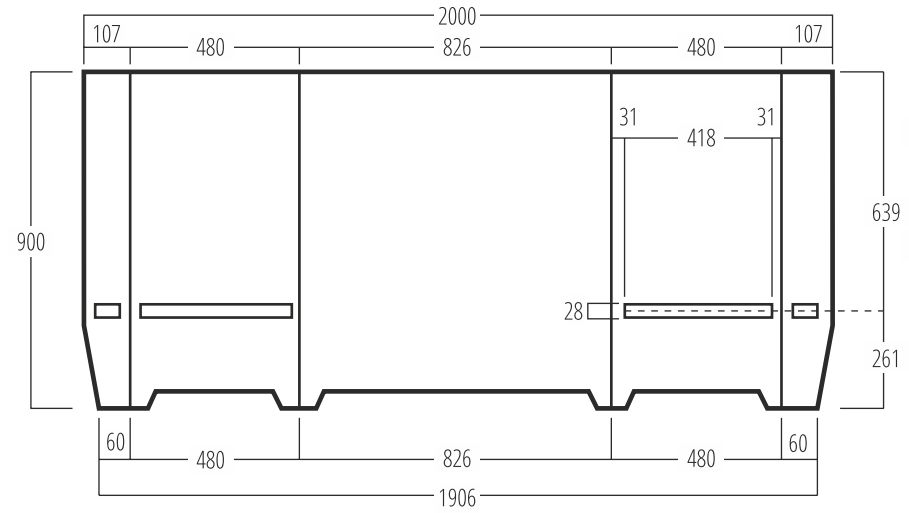
Rigid Top .....	1.52
Top .....	1.14
Shelf .....	1.12
Base Shelf .....	1.14
Body Panel .....	4.28
Pole Set (two pieces) L .....	1.00
Header .....	0.35
Bag .....	1.04

Packaging in Kg

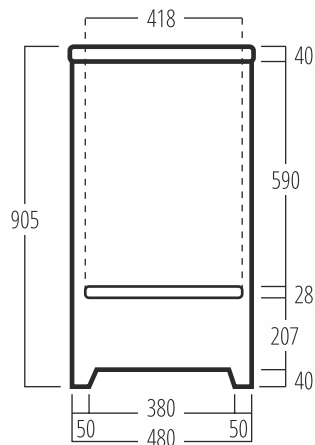
Individual reusable carton .....	1.88
External size: 925(w) x 845(d) x 82mm(h)	



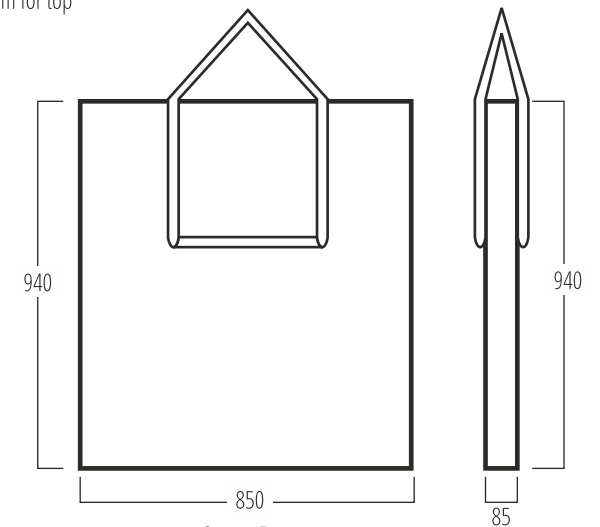
Unit and Header



Graphic Size for One Shelf  
Allow 35mm for top



Side - Budget One Shelf



Carry Bag