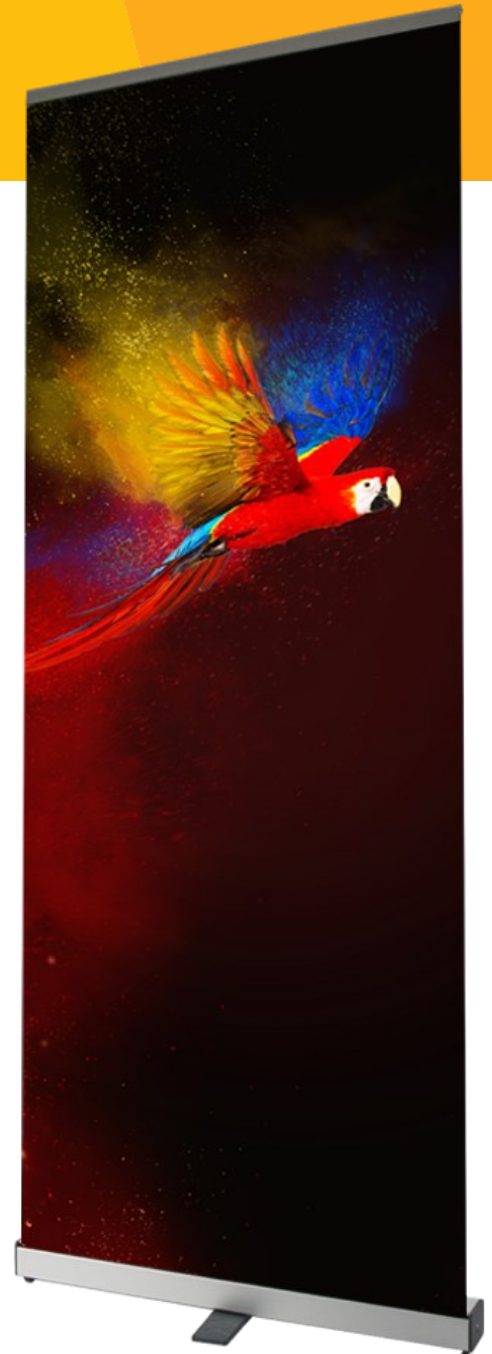
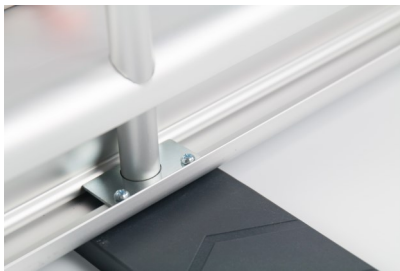


QUBE ROLLER BANNER

FEATURES AND BENEFITS

- Robust snap open top rail designed for easy installation of graphics and maximising visual impact.
- Fixed stabilising feet optimise the balance of the cassette.
- Moulded plastic twist out foot which clicks into position.
- Flat surface on the front allows cassette to be personalised using labels or flatbed printing.
- Available in 600mm, 800mm and 850mm widths x 2000mm height.

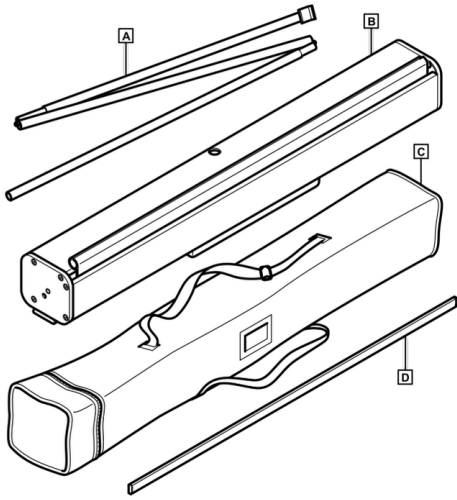


PRODUCT DETAILS		HARDWARE SPECIFICATIONS	GRAPHIC SPECIFICATIONS
Description	Order Code	Weight (kg)	Dimensions (mm) - + 200mm to allow for roller
Qube—600	INE185652	1.8	2000 (+200) x 600
Qube -800	INE185613	2.7	2000 (+200) x 800
Qube—850	INE185616	2.7	2000 (+200) x 850

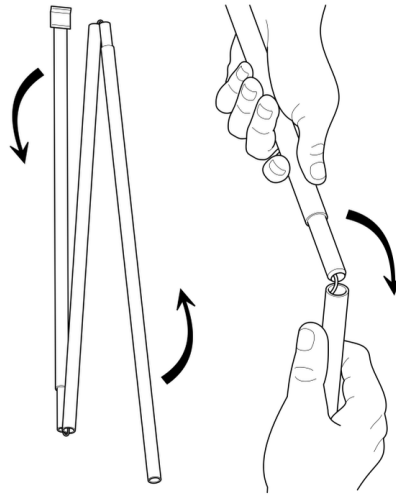
NOTE: We recommend that no text is printed within 50mm of the top and bottom of the graphic. Please add 200mm to the graphic length to allow for the roller.

We operate a policy of continuous improvement and we reserve the right to alter products and specifications to reflect this without prior notice. Any information given either verbally or in writing is approximate only and given in good faith and does not constitute terms or part of any contract. We do not accept liability for variance including direct, indirect or consequential loss. The customer is deemed to have determined the suitability of the product for the use intended and assumes all associated risks and liabilities in connection with specifying, using or being unable to use any of the products.

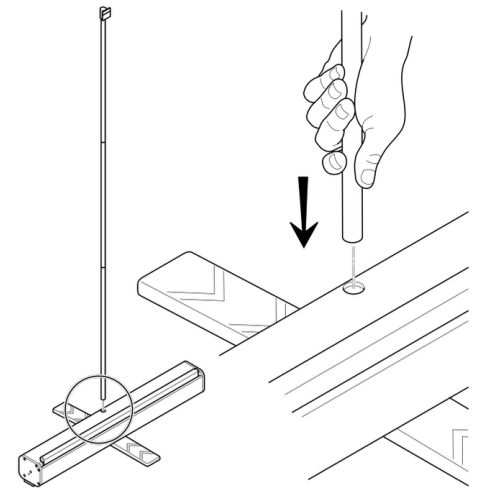
QUBE ROLLER BANNER



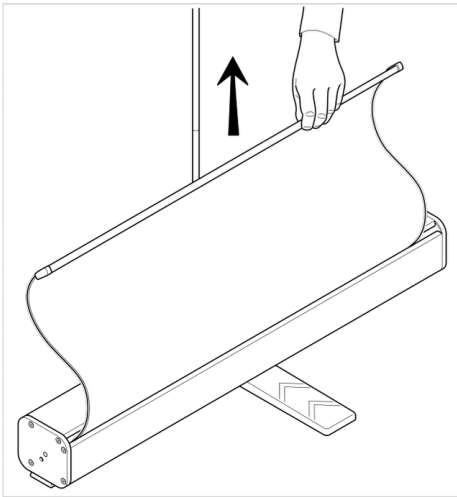
1) Product Contents: A- Bungee Pole, B-Roller Banner, C-Bag, D-Top Rail.



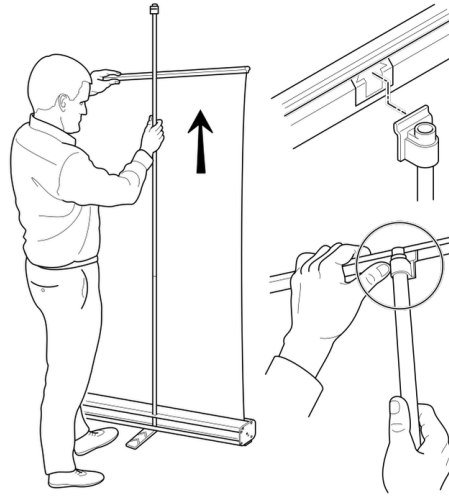
2) Construct the poles



3) Insert the pole into the base unit hole



4) Extend the graphic banner



5) Insert the top of the bungee pole into the top rail